

# MODEL 15

PRECISION OPEN FACE FLAT LAPPING MACHINE



PLATE-DIAMETER 15" (381 MM)  
VERSIONS: 3 RINGS  
TYPE: SINGLE SIDED

## MEETING TODAY'S PRECISION SURFACING REQUIREMENTS

- ✓ Rigid cast aluminium base
- ✓ Wrap-around worktable facilitates parts handling
- ✓ Three conditioning rings with roller yoke and bearing assemblies to facilitate in-process plate flatness control
- ✓ Abrasive feed system designed for water or oil based lapping slurries
- ✓ Automatic digital cycle timer
- ✓ Electrical system wired for various voltages 50/60 Hz, 1 phase (Ph)
- ✓ High torque drive unit with ½ hp / 0.25 kW motor and gear reducer

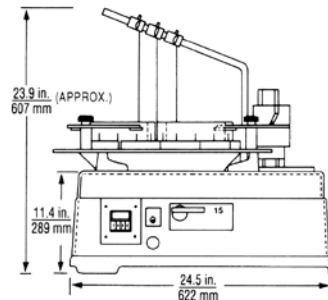
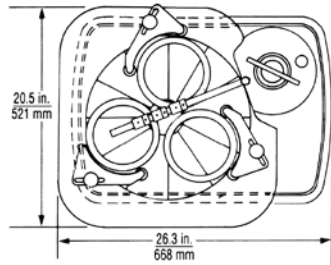
ACHIEVING HIGH STANDARDS OF FLATNESS AND SURFACE FINISH



15 with Diamond Dispensing Unit, VSD



15 with Peristaltic Pump & VSD



## HIGHLIGHTS MODEL 15

### OPTIONAL FEATURES

- ✔ Soft-start (to cushion start-up)
- ✔ Electronic variable speed drive, 0–70 rpm
- ✔ Diamond slurry dispensing systems
- ✔ Various lapping / polishing plates
- ✔ Non-standard voltages
- ✔ Custom machines and tooling

### STANDARD SPECIFICATIONS

- High density, cast iron radially serrated lap plate 381 mm O.D. × 88.9 mm I.D. / 15" O.D. × 3½" I.D.
- Three high density cast iron serrated conditioning rings 178 mm O.D. × 140 mm I.D. / 7" O.D. × 5½" I.D.
- Three high density cast iron pressure plates with lifting eye-bolts 5⅞" dia. × ¼" thick / 138 mm dia. × 32 mm thick
- 15" / 381 mm hardened steel straight edge
- Three micarta workholder blank discs 5⅞" dia. × ⅛" thick / 138 mm dia. × 3.2 mm thick
- Three pressure pads 5⅞" dia. × ½" thick / 138 mm dia. × 13 mm thick
- Starter sample Lapmaster abrasive
- Starter sample Lapmaster vehicle
- Allen wrench
- Vinyl machine cover

### APPROXIMATE WEIGHT

- 135 lbs / 61 kg

### APPROXIMATE DIMENSIONS

- 26.3" × 20.5" × 23.9"  
668 mm × 521 mm × 607 mm

**GET IN TOUCH WITH US TODAY**  
TOGETHER WE WILL FIND A SOLUTION  
FOR YOUR REQUIREMENTS

### LAPMASTER WOLTERS

Phone: 1 877 352 8637

sales@lapmaster-wolters.com

www.lapmaster-wolters.com